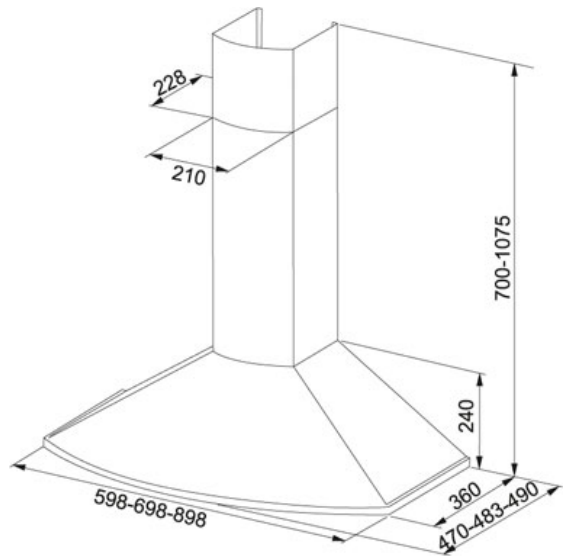


SPECIFICATION SHEET

PRODUCT FAMILY: Hoods FINISH: Stainless Steel SERIES: TENDER MODEL: 725 60CM



Product Information

Article number	110.0350.563
Old article number	7251-9000
Energy Efficiency Class Hoods	C
Hood Type Sweden	Designkupa
Hood Type	WALL
Width Hood in cm	60
Capacity DIN IEC 61591 Int.	675 m3/h
Capacity DIN IEC 61591 Max.	395 m3/h
Capacity DIN IEC 61591 Min.	125 m3/h
Noiselevel DIN EN 60704-3 Int.	72 dB(A)
Noiselevel DIN EN 60704-3 Max.	62 dB(A)
Noiselevel DIN EN 60704-3 Min.	37 dB(A)
Power (W)	205 W
Grease filter_1	Metal cassette
Illumination	LEDS 2x2W
Type of Controls	Electronic touch control
Outlet tube diameter_1	Ø 125/150/160 mm
Recommended positioning height above hob	500mm Electric - 650mm Gas
Height Overall	595 mm
Dimensions	750 mmx400 mm

Characteristics



4 Speed +
Intensive



Energy Efficiency Class
Hood C



Easy Clean